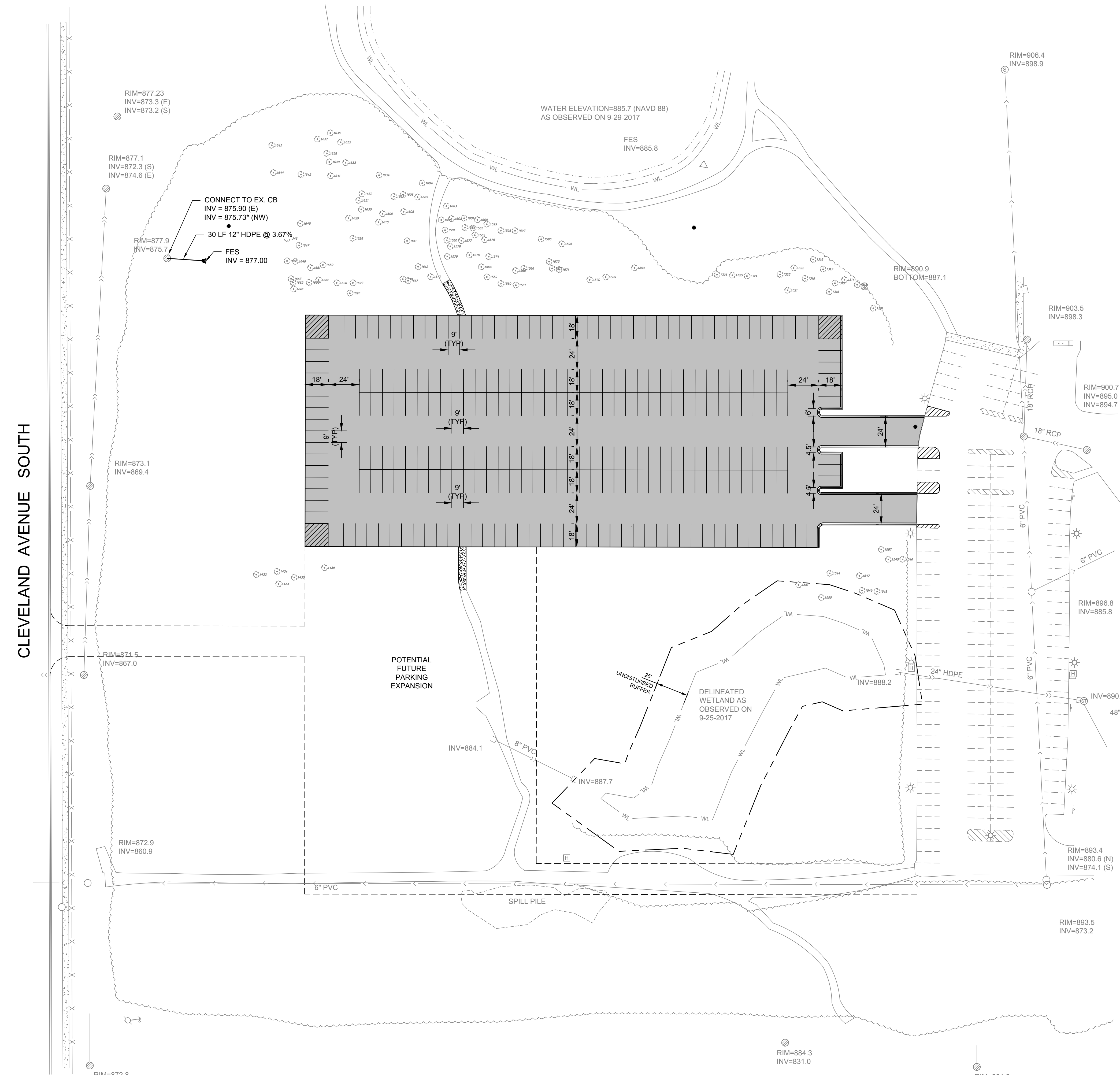

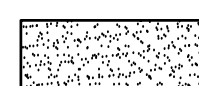

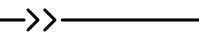


CLEVELAND AVENUE SOUTH



SYMBOL LEGEND

-  NEW 3" BITUMINOUS PAVEMENT OVER NEW 8" CRUSHED AGGREGATE BASE SEE DETAIL 1/C5
-  NEW 6" CRUSHED AGGREGATE BASE SEE DETAIL 2/C5
-  FLARED END
-  STORM SEWER PIPE

UTILITY NOTES

1. It is the responsibility of the contractor to perform or coordinate all necessary utility connections and relocations from existing utility locations to the proposed building, as well as to all onsite amenities. These connections include but are not limited to water, sanitary sewer, cable TV, telephone, gas, electric, site lighting, etc.
2. All service connections shall be performed in accordance with state and local standard specifications for construction. Utility connections (sanitary sewer, watermain, and storm sewer) may require a permit from the City.
3. The contractor shall verify the elevations at proposed connections to existing utilities prior to any demolition or excavation.
4. The contractor shall notify all appropriate engineering departments and utility companies 72 hours prior to construction. All necessary precautions shall be made to avoid damage to existing utilities.
5. HDPE storm sewer piping shall meet ASTM F2306 and fittings shall meet ASTM D3212 joint pressure test. Installation shall meet ASTM C2321.
6. See Project Specifications for bedding requirements.

Larson Engineering, Inc.
 3524 Labore Road
 White Bear Lake, MN 55110
 651.481.9120 (f) 651.481.9201
 www.larsonengr.com

GOODMANSON CONSTRUCTION
 2500 WEST COUNTY ROAD B
 ROSEVILLE, MN 55113

Client:
ST. CATHERINE UNIVERSITY LIBRARY
PARKING LOT EXPANSION
 ST. PAUL, MN 55105

I hereby certify that this plan, specifications or report was prepared by me or under my direct supervision and that I am a duly licensed Professional Engineer under the laws of the state of Minnesota.

Matt Woodruff
 Matt Woodruff, P.E.
 Date: 11.03.17 Reg. No.: 41885

Rev.	Date	Description

Project #: 12176134
 Drawn By: KBK
 Checked By: MJW
 Issue Date: 11.03.17
 Sheet Title:

PAVING AND UTILITY PLAN

C2

Sheet:

