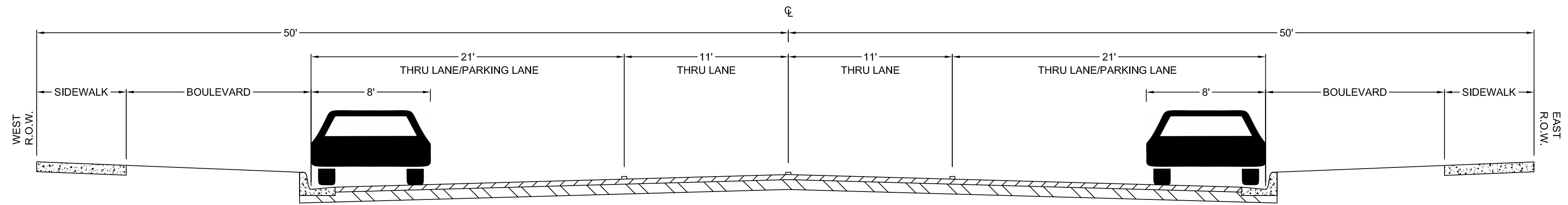
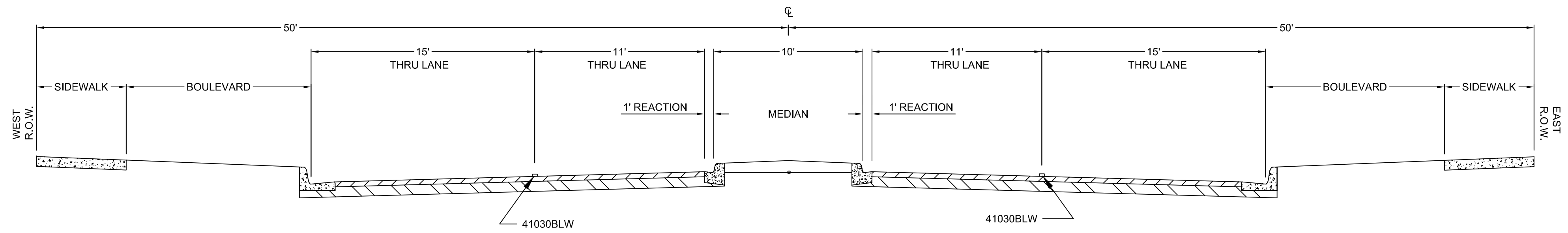


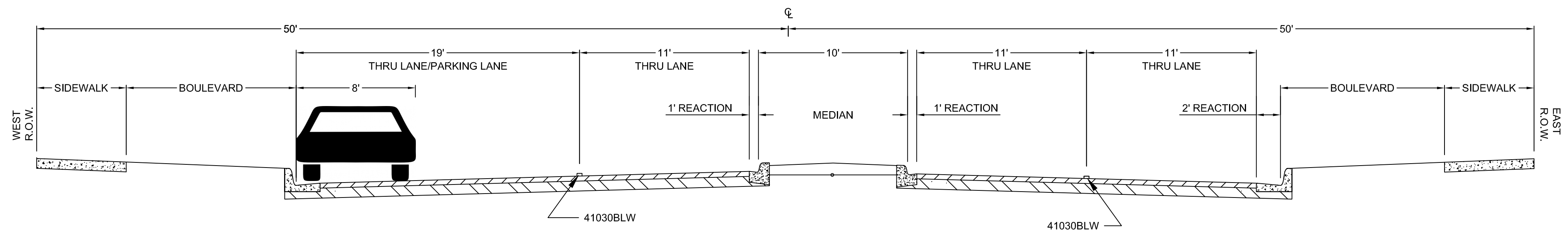
EXISTING TYPICAL SECTION
 SNELLING AVENUE: NILES AVENUE TO FORD PARKWAY
 64 FEET WIDE



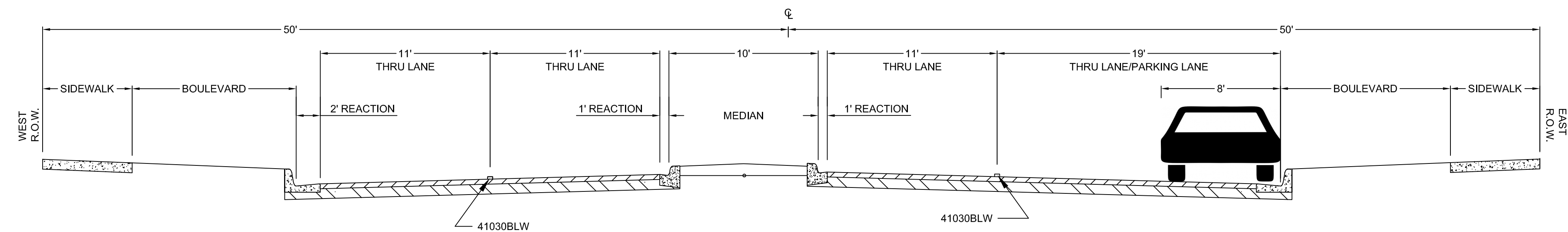
PROPOSED TYPICAL SECTION
 SNELLING AVENUE: NILES AVENUE TO FORD PARKWAY
 64 FEET WIDE - NO PARKING



PROPOSED TYPICAL SECTION
 SNELLING AVENUE: NILES AVENUE TO FORD PARKWAY
 66 FEET WIDE - WEST SIDE PARKING ONLY



PROPOSED TYPICAL SECTION
 SNELLING AVENUE: NILES AVENUE TO FORD PARKWAY
 66 FEET WIDE - EAST SIDE PARKING ONLY



NOT TO SCALE