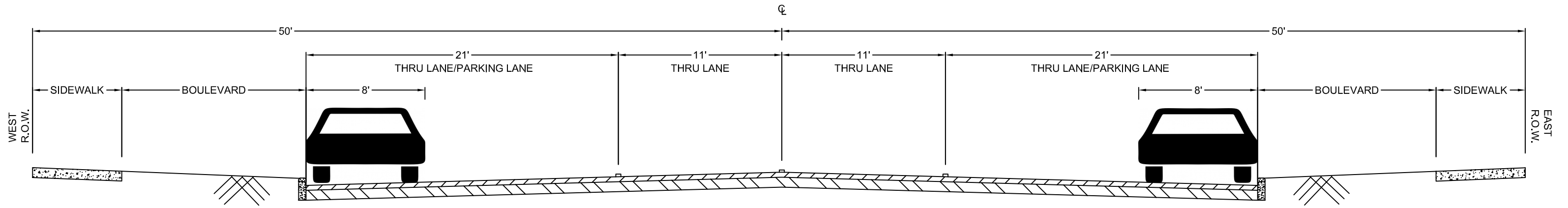


**EXISTING TYPICAL SECTION**  
**SNELLING AVENUE: NILES AVENUE TO FORD PARKWAY**  
**64 FEET WIDE - PARKING BOTH SIDES**



**PROPOSED TYPICAL SECTION**  
**SNELLING AVENUE: NILES AVENUE TO FORD PARKWAY**  
**64 FEET WIDE - PARKING ON WEST SIDE ONLY**

